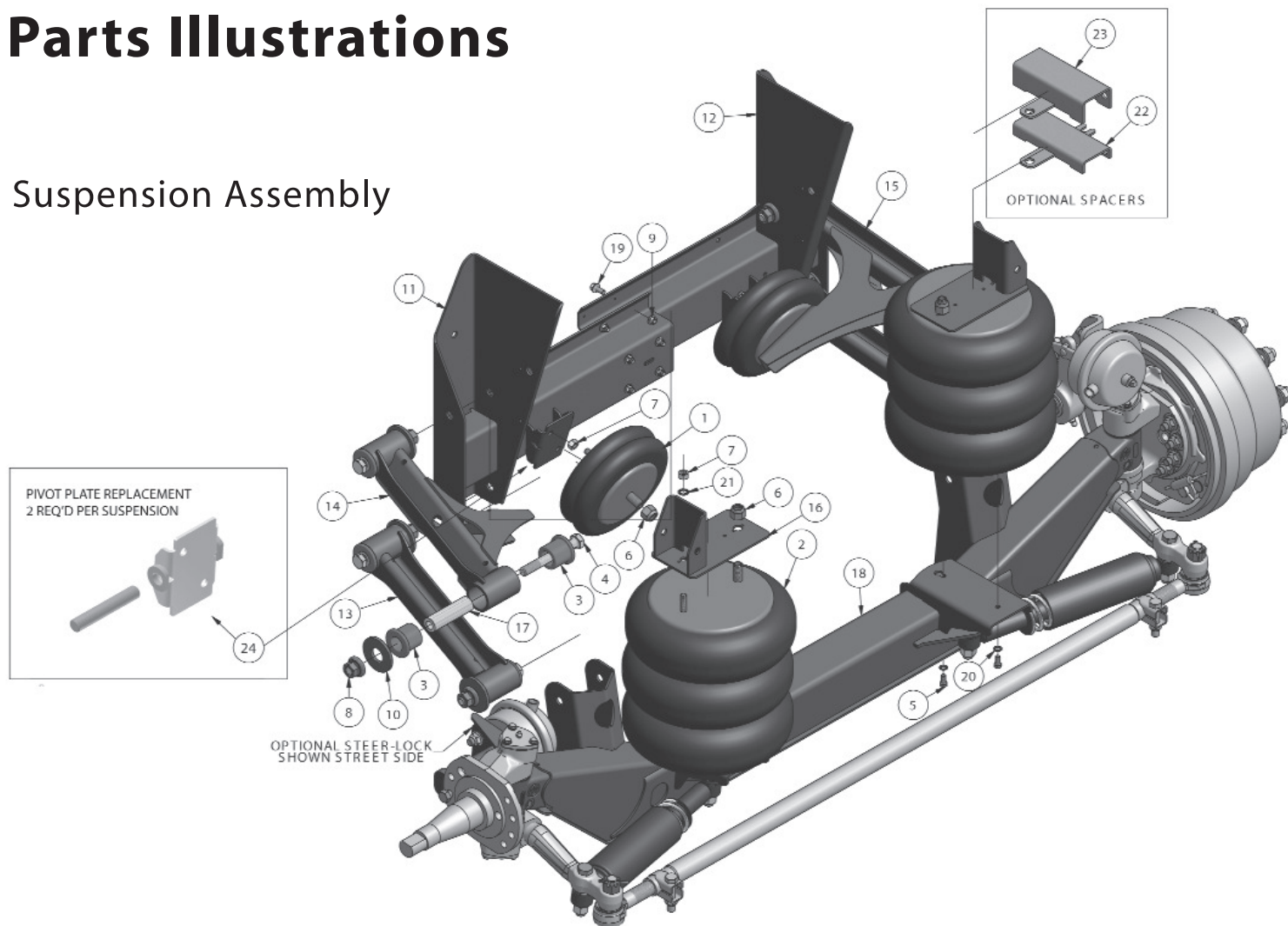


# Parts Illustrations

## Suspension Assembly



SERIES	
0	RSS-232LM/MM
1	RSS-232HM
8	RSS-232-8K

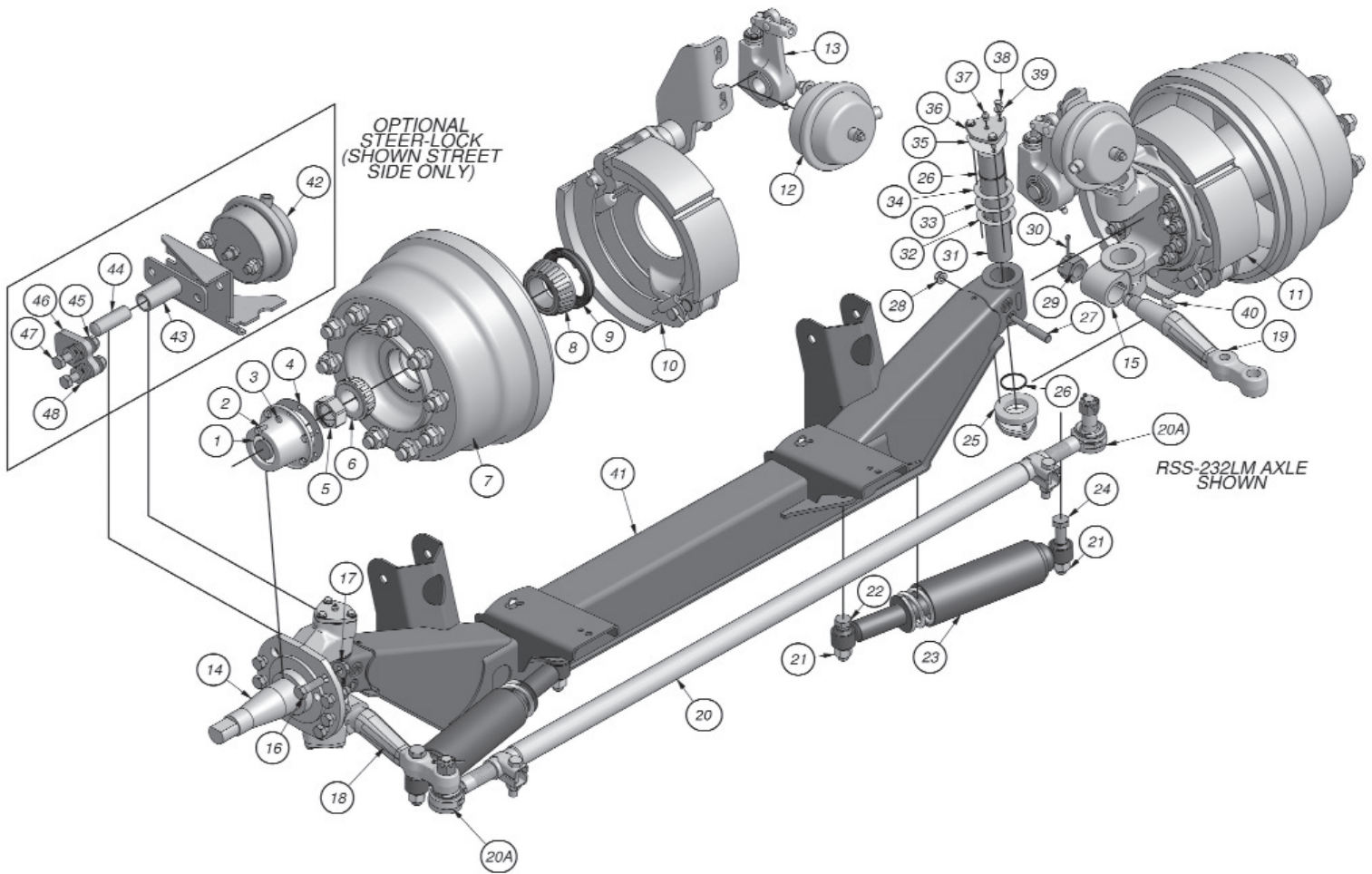
### RSS-232 PART NUMBER CHART

232	X	X	X	X	S		
						<b>SUFFIX</b>	<b>AXLE No</b>
						(BLANK) - NO STEERLOCK	16401__
						S - WITH STEERLOCK	16401__S
<b>HANGER DRILLING</b>				<b>FRAME WIDTH</b>		<b>AXLE &amp; WHEEL END ASSEMBLY</b>	
0 = NO HOLES				1 = 34.0"		0 = WHEEL END	
1 = NO SPACING PREDRILLED				2 = 34.5"		1 = HUB PILOT	
2 = 1" SPACING PREDRILLED				3 = 35.0"		2 = STUD PILOT	
3 = 2" SPACING PREDRILLED						3 = HUB PILOT, LT WT	
						4 = HUB PILOT, 19.5 SPL	
						5 = HUB PILOT, TALL AXLE	
						6 = STUD PILOT, TALL	
						7 = HUB PILOT, LW TALL	
						8 = HUB PILOT, 19.5 TALL	

ITEM No.	PART No.	PART DESCRIPTION	RSS-232-8K	RSS-232LM	RSS-232MM	RSS-232HM
1	1002B09296G	A/SPG 2B9-296	2	2	2	2
2	1003B12343G	A/SPG 3B12-347	2	2	2	-
	1001R12584G	A/SPG 1R12-584	-	-	-	2
3	1120023	BUSHING, URETHANE 95DURD	16	16	16	16
4	1140049	HHCS 3/4" 16NF 6" LG.	8	8	8	a
5	1140044	HHCS 3/8" 16NC 3/4" LG.	4	4	4	a
6	1150011	L' NUT 3/4" -16NF	4	4	4	4
7	1150650B102	NUT 1/2" 13NC STD	2	2	2	-
8	1150027	L' NUT 3/4 16NF	8	8	8	8
9	1157482B105	L' NUT 3/8" 16NC FLNGD	8	8	8	8
10	1160009	WASHER UHM .25 x 3.1 x 1.3	8	8	8	8
	3170076	HANGER CROSSMEMBER ASSY. LH STD	1	-	-	a
11	3170084	HANGER CROSSMEMBER ASSY. LH MM	1	1	1	a
	3170077	HANGER CROSSMEMBER ASSY. RH STD	1	-	-	a
12	3170085	HANGER CROSSMEMBER ASSY. RH MM	1	1	1	a

ITEM No.	PART No.	PART DESCRIPTION	RSS-232-8K	RSS-232LM	RSS-232MM	RSS-232HM
13	5050006	TORQUE ROD ASSEMBLY	2	2	2	2
	5320003	TORQUE ROD ASSEMBLY W/BUSHINGS	2	2	2	2
14	5350027	UPPER LIFT ARM (LH)	1	1	1	1
	5320001	UPPER LIFT ARM (LH) W/BUSHINGS	1	1	1	1
15	5350028	UPPER LIFT ARM (RH)	1	1	1	1
	5320002	UPPER LIFT ARM (RH) W/BUSINGS	1	1	1	1
16	3450107	UPPER AIR SPRING BRACKET ASSY.	1	1	1	a
17	9090041	SLEEVE 1.313" ODX. 751" IDx4.335" LG.	8	8	8	8
18	164013__	AXLE & WHEEL END ASSY 8K	b	-	-	-
	164015__	AXLE & WHEEL END ASSY 13K	b	-	-	-
	164016__	AXLE & WHEEL END ASSY 13K TALL	-	-	b	b
19	1140042	HHCS 3/8-16NC x 7/8" LG FLG.	1	1	1	1
20	1160011	L' WASHER 3/8" INTERNAL TOOTH	4	4	4	4
21	1167482B000	L' WASHER 1/2 INTERNAL TOOTH	2	2	2	-
22	6000711	1" AIR SPRING SPACER KIT	(2)	(2)	(2)	(2)
23	6000712	2" AIR SPRING SPACER KIT	(2)	(2)	(2)	(2)
24	6040088	PIVOT PLATE REPLACEMENT KIT	(2)	(2)	(2)	(2)

NOTES:  
a CONTACT RIDEWELL OR REFER TO AN INSTALLATION DRAWING FOR MORE DETAILS  
b SEE AXLE ASSEMBLY (ITEM 18) FOR FURTHER PARTS BREAKDOWN  
c SHIM WASHER (ITEM 10) MAY BE AT EITHER SIDE OF BUSHING.



ITEM	PART NO.	DESCRIPTION	RSS-232-8K	RSS-232LM	RSS-232MM	RSS-232HM
1	1667325B012	HUB CAP, 12/14K		2	2	
	1660151	HUB CAP, 8K	2			
2	1144206B105	HHCS 5/16" 18NC 3/4" L	8	12	12	
	1164263B100	L'WASHER 5/16"	8	12	12	
4	1667325B013	GASKET, HUB CAP, 12/14K		2	2	
	1660152	GASKET, HUB CAP, 8K	2			
5	1660093	SPINDLE NUT F-12 W/NUT CLIP	2	2	2	
	α	SPINDLE NUT 1-1/8 NF	1			
6	1667325B008	BEARING, WHEEL, 12/14K OUTER		2	2	
	1660149	BEARING, WHEEL, 8K OUTER	2			
7	α	HUB AND DRUM	2	2	2	
	1664206B009	BEARING, WHEEL, 12/14K INNER		2	2	
8	1660148	BEARING, WHEEL, 8K INNER	2			
	1667325B032	BEARING SEAL, INNER 12/14K		2	2	
9	1660150	BEARING SEAL, INNER 8K	2			
	1660028	BRAKE ASM LH 15X4, 45'	1	1	1	
10	α	BRAKE ASM LH 325X100, SLK&CBR	1			
	1660029	BRAKE ASM RH 15X4, 45'		1	1	
11	α	BRAKE ASM RH 325X100, SLK&CBR	1			
	1660037	BRAKE CHAMBER,TYPE 20L	2	2	2	
12	α	BRAKE CHAMBER,TYPE 12	2			
	1660036	SLACK ASSEMBLY		2	2	
13	1660101	KNUCKLE LH, FG		1	1	
	1660145	KNUCKLE LH, FC	1			
15	1660102	KNUCKLE RH, FG		1	1	
	1660146	KNUCKLE RH, FC	1			
16	1146237B108	HHCS 5/8" 18NF 2" L	14	14	14	
	1147587B108	HHCS 1/2" 20NF 1.5" L	12			
17	1156315B108	L'NUT 5/8" 18NF TOP LK		14	14	
	1154189B108	L'NUT 1/2" 20NF FLANGED	12			
18	1660097	TIE ROD ARM LH, 13.2K		1	1	
	1740008	TIE ROD ARM LH, 8K	1			
19	1660098	TIE ROD ARM RH, 13.2K		1	1	
	1740009	TIE ROD ARM RH, 8K	1			
20	1660015	TIE ROD ASSEMBLY 12/14K		1	1	
	1660153	TIE ROD ASSEMBLY 8K	1			
21	1150709B105	L'NUT 3/4" 10NC OVAL 3/4" HI	4	4	4	
22	1147698B105	HHCS 3/4" 10NC 3-1/4L	2	2	2	
23	1317570B001	STEERING STABILIZER	2	2	2	

ITEM	PART NO.	DESCRIPTION	RSS-232-8K	RSS-232LM	RSS-232MM	RSS-232HM
24	1143076B105	HHCS 3/4" 10NC 4-1/2"L GR5		2	2	2
	1140021	HHCS 3/4" 10NC 3-3/4"L GR5	2			
25	1660009	BEARING, THRUST, FG T-18225 (1228D1356)		2	2	
	α	BEARING, THRUST, FC (1228V1530)	2			
26	1660131	GREASE SEAL, 13K KING PIN (1205X1428)		4	4	
	α	GREASE SEAL, 8K KING PIN (1205T2334)	4			
27	1660139	DRAW KEY 7/16" 20NF 3.88L(7X111)		2	2	
	α	DRAW KEY 7/16" 20NF 3.68L(7X1002)	2			
28	1150001	L'NUT 7/16" 20NF FLANGED (1227Z780)	2	2	2	
29	1660141	NUT, CASTLE 1-1/8" 12NF (1227X1610)	2	2	2	
30	1137409B002	COTTER PIN 3/16 x 2-1/4 (K 2618)	2	2	2	
	1660135	KING PIN, FG (3101D1070)		2	2	
31	α	KING PIN, FC (3101J1024)	2			
	32	1660138	SHIM .015", FG (AS REQ'D) (2203D2942)	NA	-	-
33	1660137	SHIM .010", FG (AS REQ'D) (2203K3001)		-	-	
	α	SHIM .010", FC (AS REQ'D) (2803G2633)	-			
34	1660136	SHIM .005", FG (AS REQ'D) (2203L3002)		-	-	
	α	SHIM .005", FC (AS REQ'D) (2803H2634)	-			
35	1660132	GASKET, KING PIN CAP, FG (3208M1027)		4	4	
	α	GASKET, KING PIN CAP, FC (3208D1070)	4			
36	1660133	CAP, KING PIN, FG (2297T4752)		4	4	
	α	CAP, KING PIN, FC (2297F6402)	4			
37	1660134	FITTING, GREASE 1/8" MPTF (1199N1860)	4	4	4	
38	1140007	HHCS 5/16" 18NC 1"L GR8 (S-258P-2)	12	12	12	
39	1160004	WASHER 5/16" SAE FLAT (1229E1669)	12	12	12	
40	1660140	WOODRUFF KEY ANSI 1210 (16X1035)	2	2	2	
	5640030	AXLE RSS-232-8K	1			
41	5640001(S)	AXLE RSS-232LM		1		
	5640020(S)	AXLE RSS-232MM/HM			1	
STEER-LOCK	42	1660037	BRAKE CHAMBER, TYPE 20L	NA	2	2
	43	4660052	TUBE ASSEMBLY, STEER-LOCK	NA	2	2
	44	9290015	PLUNGER, STEER-LOCK	NA	2	2
	45	1156315B108	L'NUT 5/8" 18NF TOP LK	NA	2	2
	46	7210048	STOP PLATE, STEER-LOCK RSS-232	NA	2	2
	47	1140026	HHCS 5/8" 18NF 2-3/4"	NA	4	4
	48	1167369B100	WASHER 5/8" SAE/A-325	NA	12	12

NOTES:  
 a CONTACT RIDEWELL OR REFER TO AN INSTALLATION DRAWING FOR MORE DETAILS  
 b AXLE NUMBERS WITH AN "S" SUFFIX INCLUDE STEER-LOCK (SHOWN STREET SIDE ONLY)  
 c RIDEWELL KING PIN REBUILD KITS:  
 RSS-232-8K : 1660170      RSS-232LM,MM,HM: 1660106  
 KITS INCLUDE: 25,26,27,28,31,32,33,34,35,36,38,39 & BEARING